

PB 1151 Test Jack, PCB Mounting, Ø 2 mm, 6.3 A



See below:

[Approvals and Compliances](#)

Description

- PCB
- Test Jack , Diameter 2.0 mm , 2-pole
- measuring and testing during operation
- Continuous electrical connection
- Resilient contacts, gold plated

References

Weblinks

[pdf data sheet](#), [html datasheet](#), [General Product Information](#), [Approvals](#), [Distributor-Stock-Check](#), [Accessories](#), [Detailed request for product](#)

Technical Data

Diameter	2mm
Rated current	6.3A
Admissible switching power	@ 250 Insertions: 220 W / max. 5 A or 75 VDC 440 W / max. 5 A or 50 VAC
	@ 1000 Insertions: 100 W / max. 2 A or 75 VDC 150 W / max. 5 A or 50 VAC
Contact resistance	< 7 mΩ at 20 mV
Insulation Resistance	> 5 MΩ (500VDC: 1 min)
Dielectric strength	> 2kV (50Hz: 1 min)
Clearance and Creepage Distance	> 2 mm
Allowable Operation Temperature	-25 °C to 70 °C

Solderability	235 °C / 2 sec acc. to IEC 60068-2-20 , Test Ta, method 1
Resistance to Soldering Heat	260 °C / 5 sec acc. to IEC 60068-2-20 , Test Tb, method 1A
Weight	0.7 g
Material: Housing	Thermoplastic (PC), UL 94V-2
Surface of contacts	gold plated , Thickness 2.0 μm

Approvals and Compliances

Detailed information on product approvals, code requirements, usage instructions and detailed test conditions can be looked up in [Details about Approvals](#)

SCHURTER products are designed for use in industrial environments. They have approvals from independent testing bodies according to national and international standards. Products with specific characteristics and requirements such as required in the automotive sector according to IATF 16949, medical technology according to ISO 13485 or in the aerospace industry can be offered exclusively with customer-specific, individual agreements by SCHURTER.




Application standards

Application standards where the product can be used

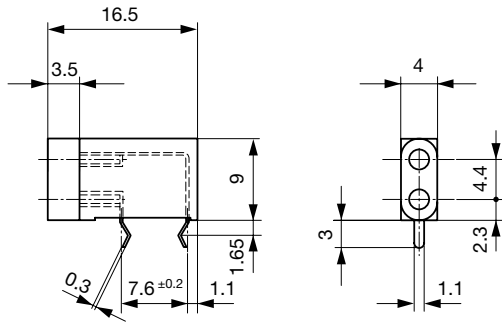
Organization	Design	Standard	Description
	Suitable for applications acc.	IEC/UL 62368-1	Audio/video, information and communication technology equipment - Part 1: Safety requirements

Compliances

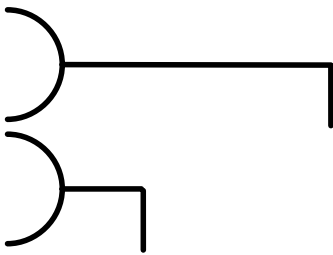
The product complies with following Guide Lines

Identification	Details	Initiator	Description
	RoHS	SCHURTER AG	Directive RoHS 2011/65/EU, Amendment (EU) 2015/863
	China RoHS	SCHURTER AG	The law SJ / T 11363-2006 (China RoHS) has been in force since 1 March 2007. It is similar to the EU directive RoHS.
	REACH	SCHURTER AG	On 1 June 2007, Regulation (EC) No 1907/2006 on the Registration, Evaluation, Authorization and Restriction of Chemicals 1 (abbreviated as "REACH") entered into force.

Dimensions [mm]



Diagrams



All Variants

Product group	Color	Order Number
Test Jack	black	0040.1151
Test Jack	red	0040.1152

Availability for all products can be searched real-time: <https://www.schurter.com/en/info-center/support-tools/stock-check-distributors>

Packaging unit

100 Pcs

Mating Inlets/Plugs

Category / Description

[Test Jacks & Probes Overview complete](#)



PS 1061, 10 A, Test Probe

PS 1061

PS 1161, 2 contacts, 6.3 A, Test Probe

PS 1161