

SMD DIP Switch, 1.27 mm

new



See below:

**Approvals and Compliances**

**Description**

- 1.27 mm SMT DIP Switch

**Unique Selling Proposition**

- 1.27mm half pitch for space saving
- 2.2mm height Low profile design
- SMD type terminal
- High number of cycles

**Weblinks**

[pdf data sheet](#), [html datasheet](#), [General Product Information](#), [CAD-Drawings](#), [Product News](#), [Detailed request for product](#)

**Technical Data**

**Electrical Data**

Switching Voltage	24 VDC (status changed often) 50 VDC (status constant)
Switching current	25 mA (status changed often) 100 mA (status constant)
Dielectric Strength	No breakdown at 500 V (50Hz~60Hz, 1min)
Contact Resistance	max. 100mΩ (initial) max. 200 mΩ (after testing)

**Mechanical Data**

Actuating Force	≤ 5 N
Lifetime	1000 actuations

**Climatical Data**

Operating Temperature	-40 °C - 85 °C
Storage Temperature	-40 °C - 85 °C

**Soldering Data**

Soldering Methods	Reflow
-------------------	--------

**Material**

Terminals	Gold-Plated Copper Alloy
Contact element	Gold-Plated Copper Alloy
Housing	plastic - black
Actuator	plastic - white

**Approvals and Compliances**

Detailed information on product approvals, code requirements, usage instructions and detailed test conditions can be looked up in [Details about Approvals](#)

SCHURTER products are designed for use in industrial environments. They have approvals from independent testing bodies according to national and international standards. Products with specific characteristics and requirements such as required in the automotive sector according to IATF 16949, medical technology according to ISO 13485 or in the aerospace industry can be offered exclusively with customer-specific, individual agreements by SCHURTER.

**Application standards**

Application standards where the product can be used

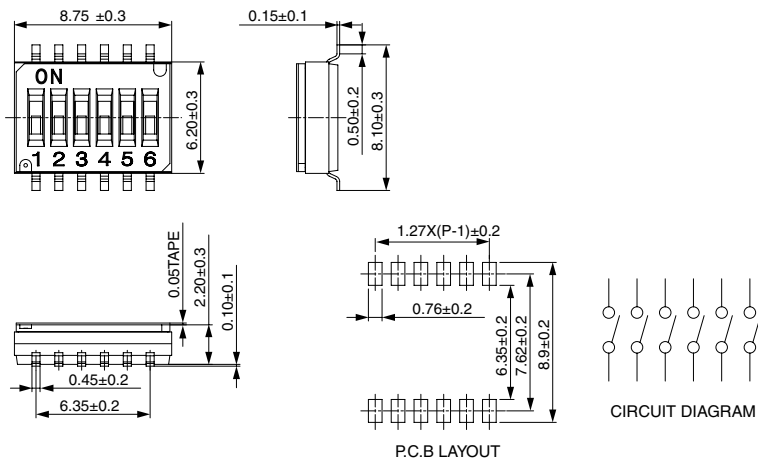
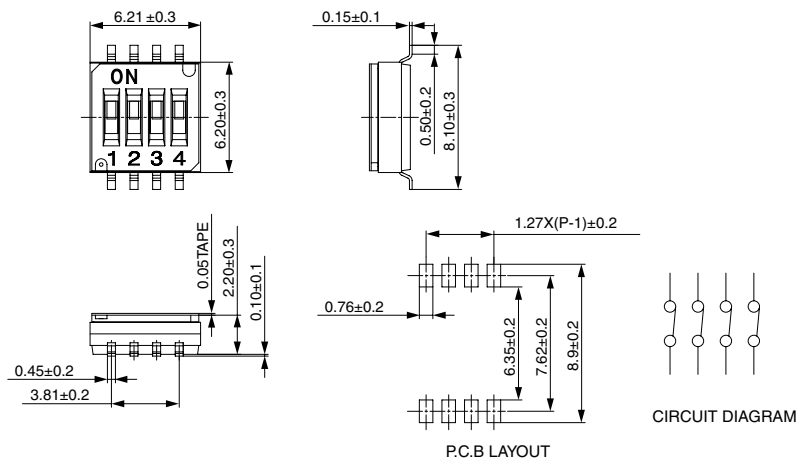
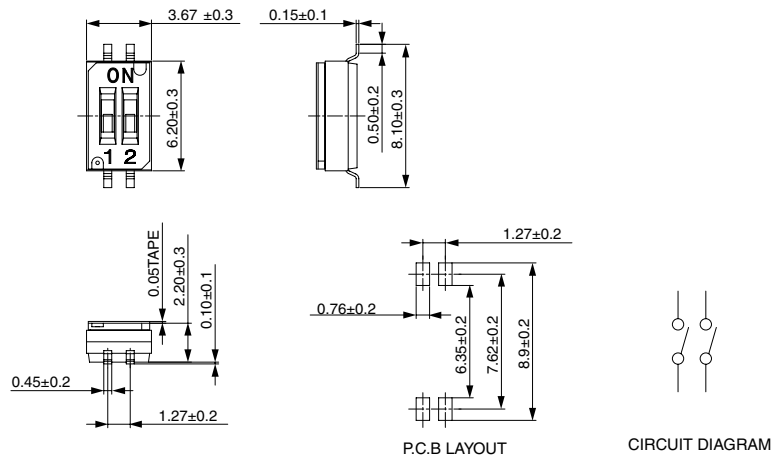
Organization	Design	Standard	Description
	Suitable for applications acc.	IEC/UL 62368-1	Audio/video, information and communication technology equipment - Part 1: Safety requirements

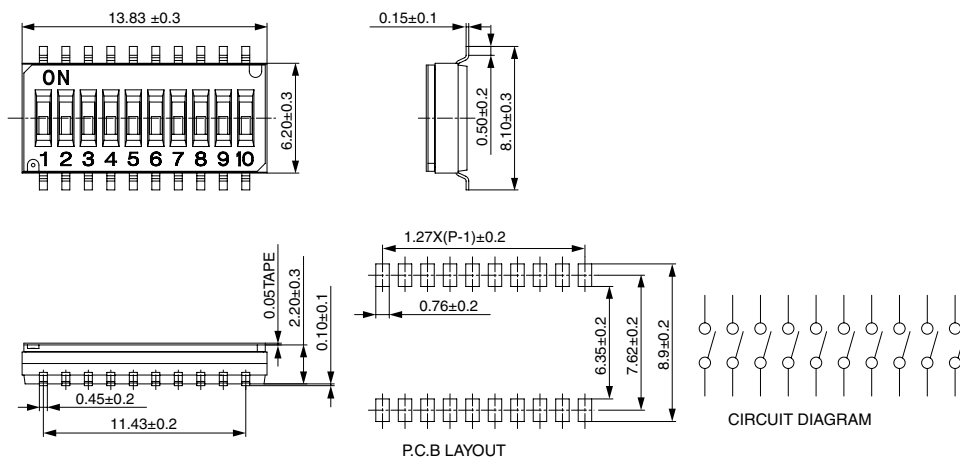
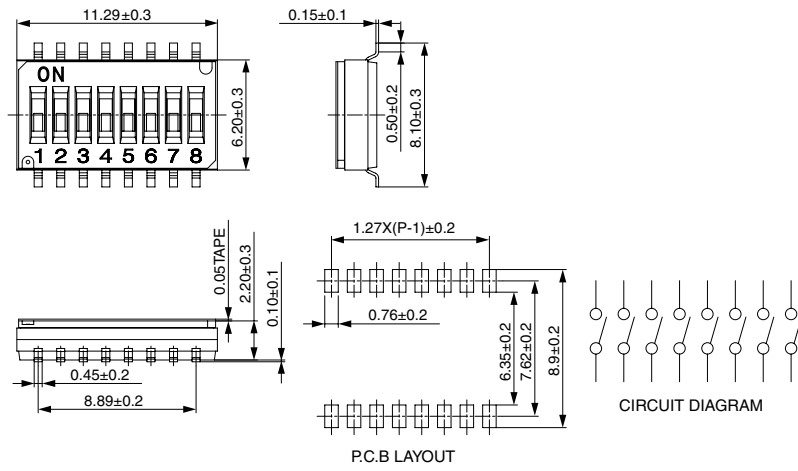
**Compliances**

The product complies with following Guide Lines

Identification	Details	Initiator	Description
	RoHS	SCHURTER AG	Directive RoHS 2011/65/EU, Amendment (EU) 2015/863
	China RoHS	SCHURTER AG	The law SJ / T 11363-2006 (China RoHS) has been in force since 1 March 2007. It is similar to the EU directive RoHS.
	REACH	SCHURTER AG	On 1 June 2007, Regulation (EC) No 1907/2006 on the Registration, Evaluation, Authorization and Restriction of Chemicals 1 (abbreviated as "REACH") entered into force.

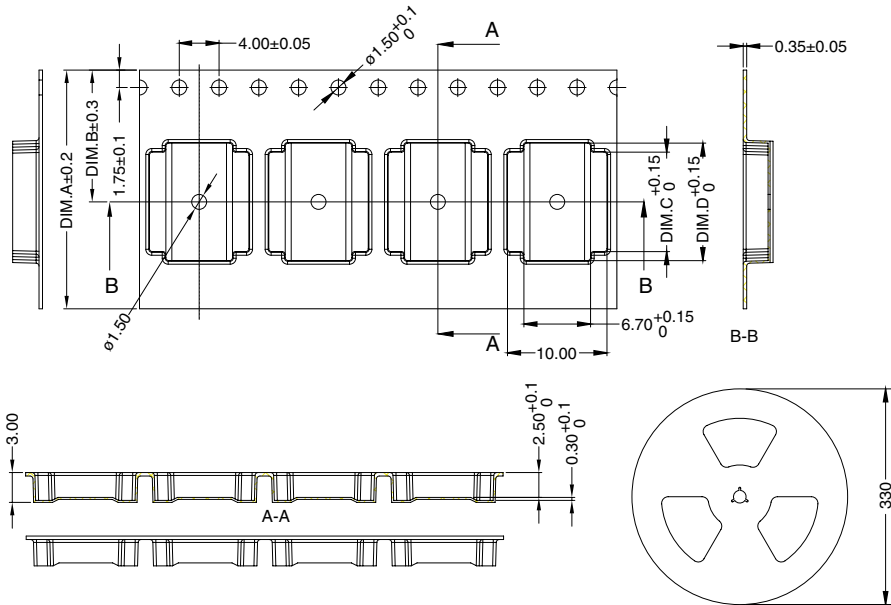
Dimension [mm]





Tape & Reel dimension

POSITIONS	02P	04P	06P	08P	10P
DIM.A	16.0	16.0	16.0	24.0	24.0
DIM.B	9.25	9.25	9.25	13.25	13.25
DIM.C	2.38	4.92	7.46	10.00	12.54
DIM.D	4.20	6.74	9.28	11.82	14.36



Order number key

D	T	C	D	-	02	-	H2	-	S	-	TR
1					2		3		4		5

**Type** 1  
 DTCD = DTCD

**Number of Positions** 2  
 02 = 02  
 04 = 04  
 06 = 06  
 08 = 08  
 10 = 10

**Actuator** 3  
 Recessed actuator = H2  
 Recessed actuator with sealed Mylar = H3

**Terminal** 4  
 Gullwing = S

**Package** 5  
 Tape & Reel = TR

**Variants**

Config. Code	Number of Positions	Actuator	Switch position	Weight [g]	Packaging unit [PCS]	Order Number
DTCD-02-H3-S-TR	02	Recessed actuator with sealed Mylar	OFF	0.06	2000	3-160-938
DTCD-04-H3-S-TR	04	Recessed actuator with sealed Mylar	OFF	0.11	2000	3-160-939
DTCD-06-H3-S-TR	06	Recessed actuator with sealed Mylar	OFF	0.16	2000	3-160-940
DTCD-08-H3-S-TR	08	Recessed actuator with sealed Mylar	OFF	0.21	2000	3-160-941
DTCD-10-H3-S-TR	10	Recessed actuator with sealed Mylar	OFF	0.25	2000	3-160-942
DTCD-02-H2-S-TR	02	Recessed actuator	OFF	0.06	2000	3-160-943
DTCD-04-H2-S-TR	04	Recessed actuator	OFF	0.11	2000	3-160-944
DTCD-06-H2-S-TR	06	Recessed actuator	OFF	0.16	2000	3-160-945
DTCD-08-H2-S-TR	08	Recessed actuator	OFF	0.21	2000	3-160-946
DTCD-10-H2-S-TR	10	Recessed actuator	OFF	0.25	2000	3-160-947

Switch position 'ON' on request

Availability for all products can be searched real-time: <https://www.schurter.com/en/info-center/support-tools/stock-check-distributors>