

4802, Plug, solder terminal, screened, 3.5 mm, 2-pole, straight, UK-Connector



### Description

- Solder terminal :  
for cable mounting
- Data and Signal transfer
- Data and Signal Connectors 2-pole , shielded , straight

### References

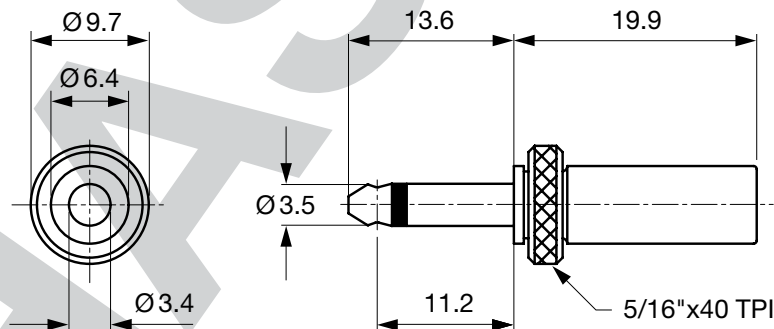
Alternative: Housing insulated [4802.1210](#)  
Last order date: 30.06.2016

### Technical Data

Diameter	3.5 mm	Allowable Operation Temperature	-20 °C to 70 °C
Number of Poles	2-pole	Terminal	solder terminal lockable with screw locking
Ratings DC	1 A / 12VDC	Housings	screened
Ratings AC	1 A / 12VAC	Style	straight
Dielectric Strength	500VDC	Lifetime	10000 Insertions
Insulation Resistance	> 10000 MΩ @ 500VDC		

Detailed information on product approvals, code requirements, usage instructions and detailed test conditions can be looked up in [General Product Information](#)

### Dimensions



### All Variants

Product group	Diameter [mm]	Number of Poles	Terminal	Order Number
Data and Signal Plug/Sockets	3.5	2-pole	solder terminal	<a href="#">4802.1230</a>

Most Popular.

Availability for all products can be searched real-time: <http://www.schurter.com/en/Stock-Check/Stock-Check-SCHURTER>

Packaging unit 100 Pcs