

IEC Appliance Inlet C8 polarized, Screw-on Mounting, Front Side, Solder or PCB Terminal



C8 polarized



70 °C

See below:

**Approvals and Compliances**

**Description**

- Panel mount
- Screw-on mounting , front side
- Appliance Inlet , Pin temperature 70 °C , Protection class II
- Solder / PCB terminal

Last order date: 30.03.2025  
 Last delivery date: 30.06.2025

**Weblinks**

[pdf data sheet](#), [html datasheet](#), [General Product Information](#), [Approvals](#), [Distributor-Stock-Check](#), [Accessories](#), [Detailed request for product](#)

**Technical Data**

Ratings IEC	2.5 A / 250 VAC; 50 Hz	Appliance inlet/-outlet	C8p acc. to IEC 60320-1
Ratings UL/CSA	2.5 A / 250 VAC; 60 Hz		UL 498, CSA C22.2 no. 42 (for cold conditions) pin-temperature 70 °C, 2.5 A, Protection Class II
	7 A / 125 VAC; 60 Hz		
Dielectric Strength	> 1.5 kVAC between L-N > 3 kVAC between L/N-PE (1 min/50 Hz)		
Allowable Operation Temperature	-25 °C to 70 °C		
IP-Protection	front side IP20 acc. to IEC 60529		
Protection against electric shock	Suitable for appliances with protection class II acc. to IEC 61140		
Material: Housing	PA6, black / grey / white, UL 94V-0		

**Approvals and Compliances**

Detailed information on product approvals, code requirements, usage instructions and detailed test conditions can be looked up in [Details about Approvals](#)

SCHURTER products are designed for use in industrial environments. They have approvals from independent testing bodies according to national and international standards. Products with specific characteristics and requirements such as required in the automotive sector according to IATF 16949, medical technology according to ISO 13485 or in the aerospace industry can be offered exclusively with customer-specific, individual agreements by SCHURTER.

**Approvals**

The approval mark is used by the testing authorities to certify compliance with the safety requirements placed on electronic products.

Approval Reference Type: 2577

Approval Logo	Certificates	Certification Body	Description
	<a href="#">VDE Approvals</a>	VDE	VDE Certificate Number: 40034368
	<a href="#">UL Approvals</a>	UL	UR File Number: E96454


**Product standards**

Product standards that are referenced

Organization	Design	Standard	Description
	Designed according to	IEC 60320-1	Appliance couplers for household and similar general purposes
	Designed according to	UL 498	Standard for Attachment Plugs and Receptacles
	Designed according to	CSA C22.2 no. 42	General Use Receptacles, Attachment Plugs, and Similar Wiring Devices






**Application standards**

Application standards where the product can be used

Organization	Design	Standard	Description
	Suitable for applications acc.	IEC/UL 62368-1	Audio/video, information and communication technology equipment - Part 1: Safety requirements

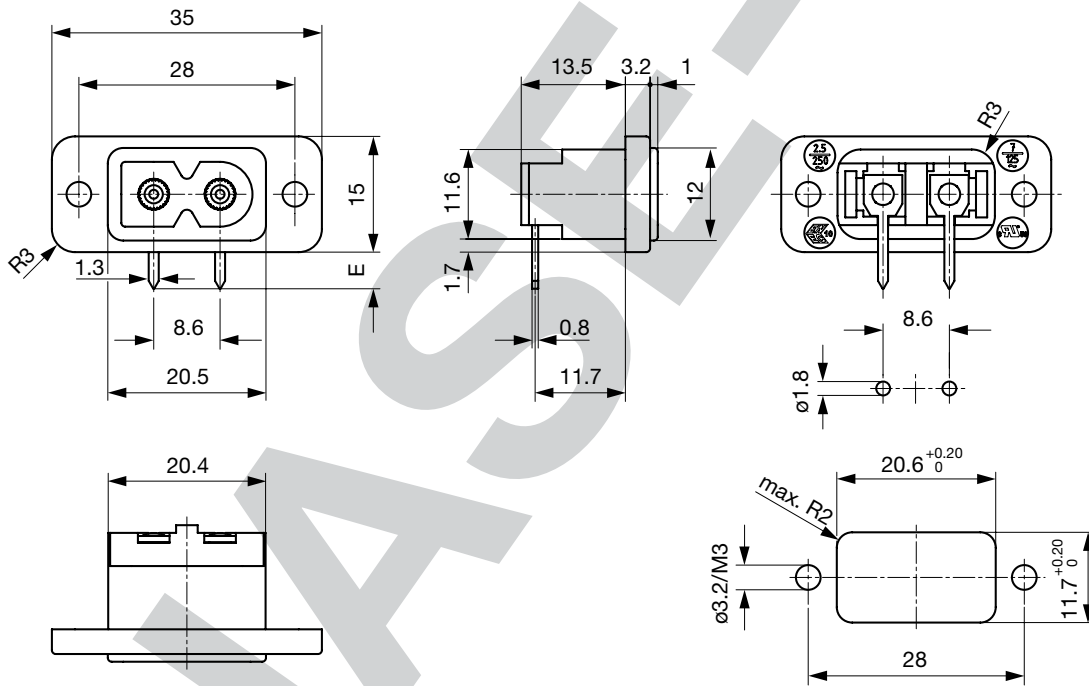
**Compliances**

The product complies with following Guide Lines

Identification	Details	Initiator	Description
	<a href="#">CE declaration of conformity</a>	SCHURTER AG	The CE marking declares that the product complies with the applicable requirements laid down in the harmonisation of Community legislation on its affixing in accordance with EU Regulation 765/2008.
	<a href="#">UKCA declaration of conformity</a>	SCHURTER AG	The UKCA marking declares that the product complies with the applicable requirements laid down in the British Amendment of Regulation (EC) 765/2008.
	RoHS	SCHURTER AG	Directive RoHS 2011/65/EU, Amendment (EU) 2015/863
	China RoHS	SCHURTER AG	The law SJ / T 11363-2006 (China RoHS) has been in force since 1 March 2007. It is similar to the EU directive RoHS.
	REACH	SCHURTER AG	On 1 June 2007, Regulation (EC) No 1907/2006 on the Registration, Evaluation, Authorization and Restriction of Chemicals 1 (abbreviated as "REACH") entered into force.

**Dimensions [mm]**

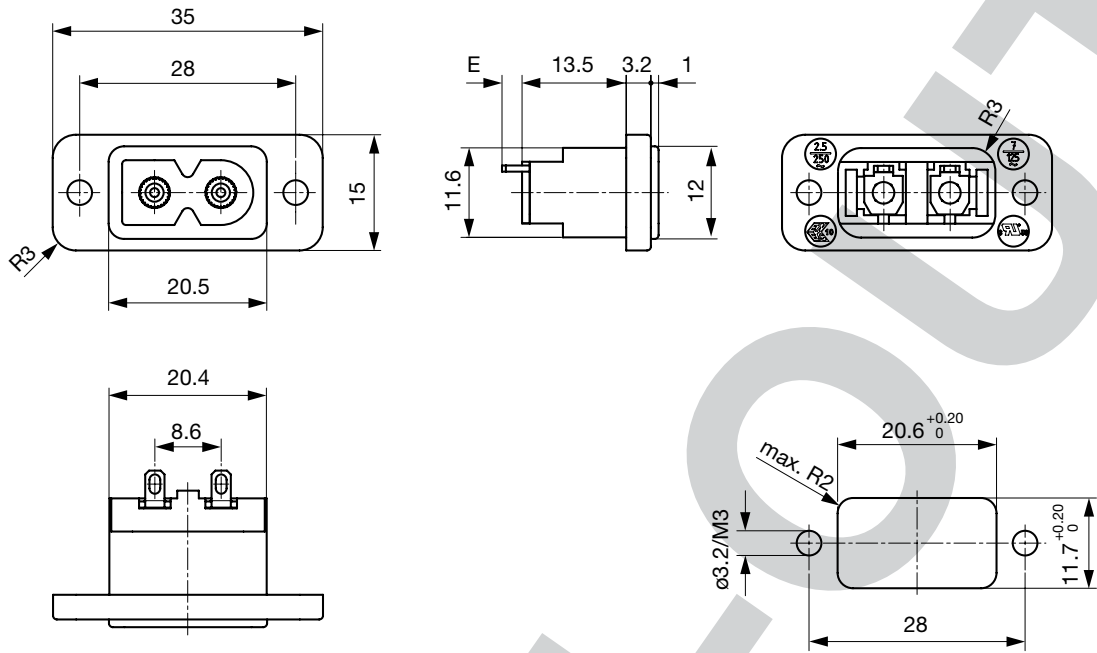
PCB



E: PCB terminal standard: 4.8 mm  
 E: PCB terminal short: 3.2 mm  
 E: PCB terminal long: 5.9 mm

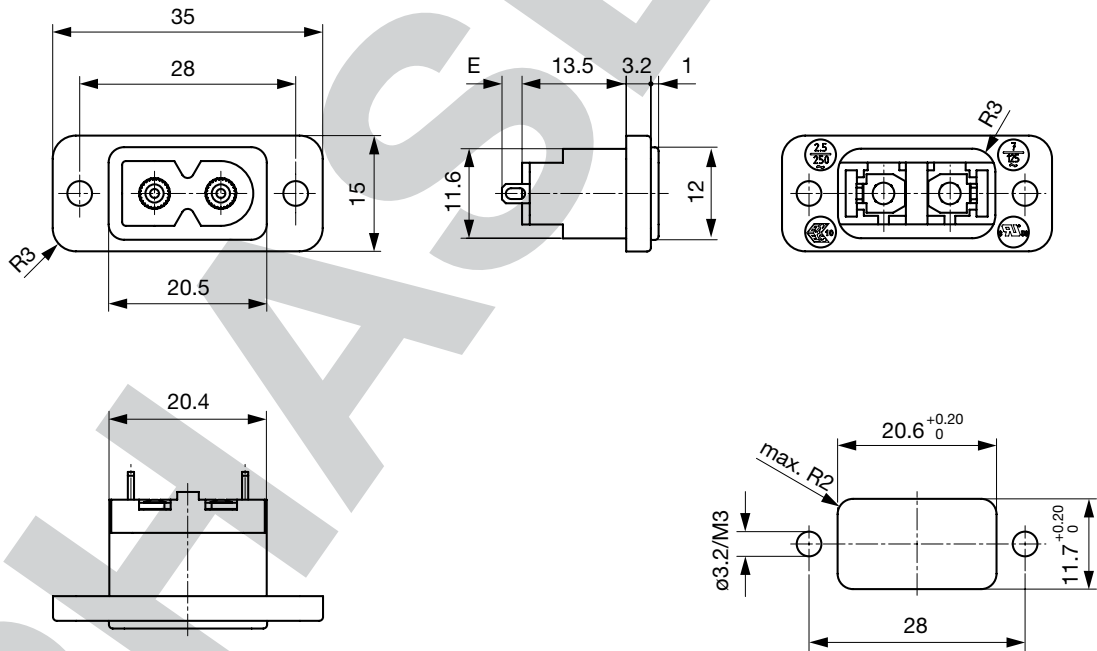


Terminals orientation A



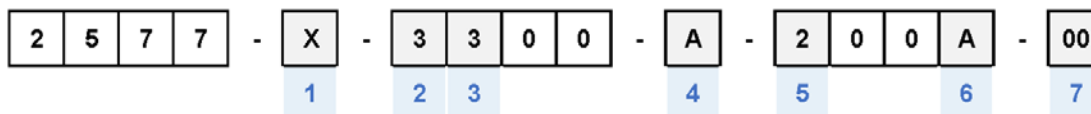
E: Solder terminals long: 7.3 mm (L=8.5 mm)

Terminals orientation B



E: Solder terminals long: 7.3 mm (L=8.5 mm)

## Order number key



<b>Version</b>	🔑		<b>1</b>
Appliance inlet C8 polarized (PCII)	=		X
<b>Terminal L</b>	🔑		<b>2</b>
Solder, L=5mm, with Large Soldering Hole	1) =		1
Solder, L=8.5mm 4 = PCB, with Solder Terminal	=		3
PCB, with Solder Terminal	27) =		4
PCB, Short, with Solder Terminal	27) =		5
PCB, Long, with Solder Terminal	27) =		6
PCB	=		A
PCB, Short	=		B
PCB, Long	=		C
<b>Terminal N</b>	🔑		<b>3</b>
Solder, L=5mm, with Large Soldering Hole	1) =		1
Solder, L=8.5mm 4 = PCB, with Solder Terminal	=		3
PCB, with Solder Terminal	27) =		4
PCB, Short, with Solder Terminal	27) =		5
PCB, Long, with Solder Terminal	27) =		6
PCB	=		A
PCB, Short	=		B
PCB, Long	=		C
<b>Colour</b>	🔑		<b>4</b>
black	=		A
grey	=		B
white	=		D
<b>Mounting</b>	🔑		<b>5</b>
Rivet	=		2
<b>Orientation of terminals</b>	🔑		<b>6</b>
Horizontal	=		A
Vertikal	=		B
<b>Customer specific types</b>	🔑		<b>7</b>

- 1) Only on request  
27) Orientation A only

**Variants**

Terminals L / N	Orientation of Terminals	Color	Style	Config. Code	Order Number
long solder terminal (L = 8.5 mm)	horizontal	Black	flange with through holes	2577-X-3300-A-200A	6160.0102
PCB-terminal standard (additional solder terminal)	horizontal	Black	flange with through holes	2577-X-4400-A-200A	6160.0103
PCB-terminal (short)	horizontal	Black	flange with through holes	2577-X-BB00-A-200A	6160.0104
PCB-terminal (long)	horizontal	Black	flange with through holes	2577-X-CC00-A-200A	6160.0105

The listed variants should be available from stock. Other versions on request [www.schurter.com/contact](http://www.schurter.com/contact)

Availability for all products can be searched real-time: <https://www.schurter.com/en/info-center/support-tools/stock-check-distributors>

<b>Packaging unit</b>	100 Pcs
-----------------------	---------

PHASE-OUT