

cover for SKD 250/400A



See below:
[Approvals and Compliances](#)

Unique Selling Proposition
 - up, down, sideways

Weblinks
[pdf data sheet](#), [html datasheet](#), [Detailed request for product](#)

Approvals and Compliances

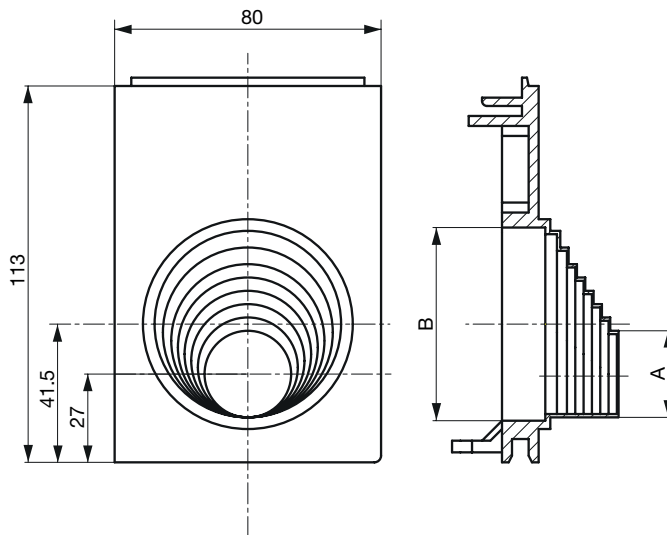
Detailed information on product approvals, code requirements, usage instructions and detailed test conditions can be looked up in [Details about Approvals](#)

Compliances

The product complies with following Guide Lines

Identification	Details	Initiator	Description
REACH	REACH	SCHURTER AG	On 1 June 2007, Regulation (EC) No 1907/2006 on the Registration, Evaluation, Authorization and Restriction of Chemicals 1 (abbreviated as "REACH") entered into force.

Dimensions [mm]



A	26	30	34	38	42	46	51	56	63
B	24	28	32	36	40	44	49	54	58

All Variants

Designation	Terminal	Order Number	E-No.
entrance with strain relief 50-185mm2	-	0011.0803	-
entrance/exit 50-185mm2	-	0011.0801	-
blind cover entrance/exit	-	0011.0802	-
exit with nut 1xM25	-	0011.0807	-
exit with nut 1xM40	-	0011.0809	-
exit with nut 2xM32	-	0011.0808	-
exit with thread 1xM50	-	0011.0810	-
exit with thread 1xM63	-	0011.0811	-

Most Popular:

Availability for all products can be searched real-time: <https://www.schurter.com/en/Stock-Check/Stock-Check-SCHURTER>

Packaging unit

1 Pcs